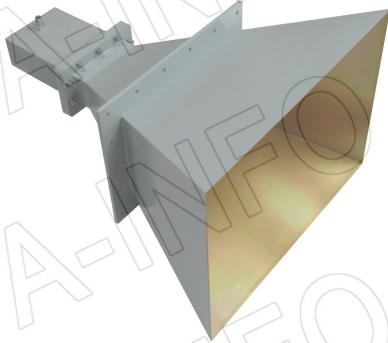


For reference only. See data sheet for the detailed specifications.

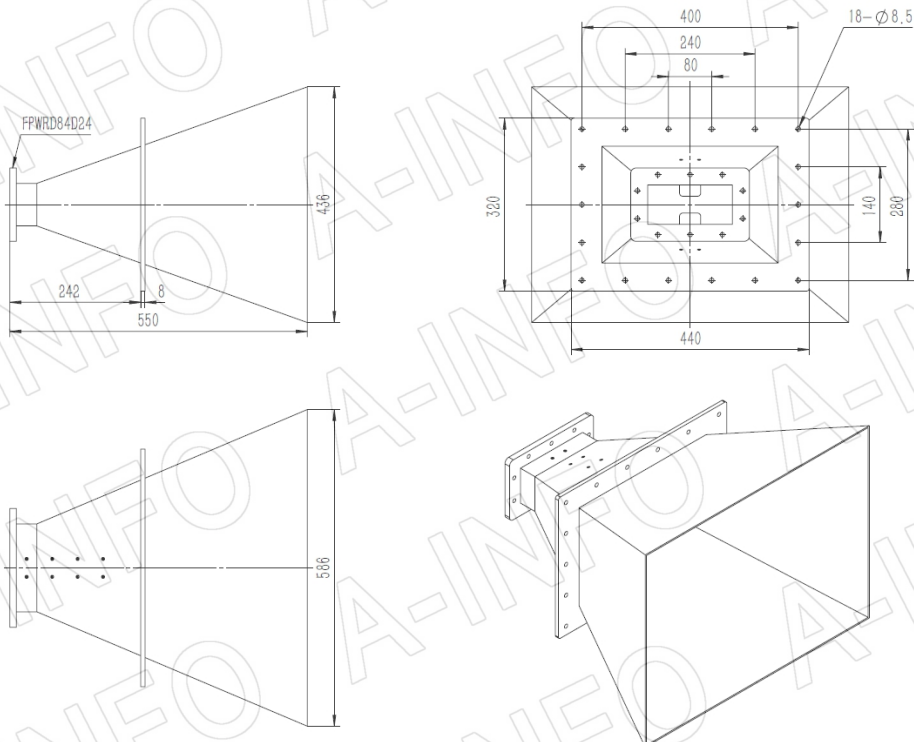
Technical Specification



Frequency Range(GHz)	0.84 - 2.0
Gain(dBi)	15 Typ.
Polarization	Linear
3dB Beamwidth(deg)	E Plane: 42 - 17
	H Plane: 40 - 18
Cross Pol. Isolation(dB)	25 Typ.
VSWR	1.5:1 Typ.
Output	A Type: FPWRD84D24
	N-Female or SMA-Female or 7/16-Female
Power Handling(W CW)	N-F: 500 Max.
	SMA-F: 50 Max.
	7/16-F: 500 Max.
Material	Al
Finish	Chemical Conversion Coating, Gray Paint
Size(mm)	A Type: 586 x 436 x 550
	C Type: 586 x 436 x 769
Net Weight(Kg)	A Type: 7.8 Around
	C Type: 10.5 Around

Outline Drawing (Size: mm)

FPWRD84D24 Output (P/N: LB-08420-15-A)



AINFO Inc.

China(Beijing): Tel: (+86) 10-6266-7326,
China(Chengdu): Tel: (+86) 28-8519-2786,
USA : Tel: (+1) 949-639-9688,

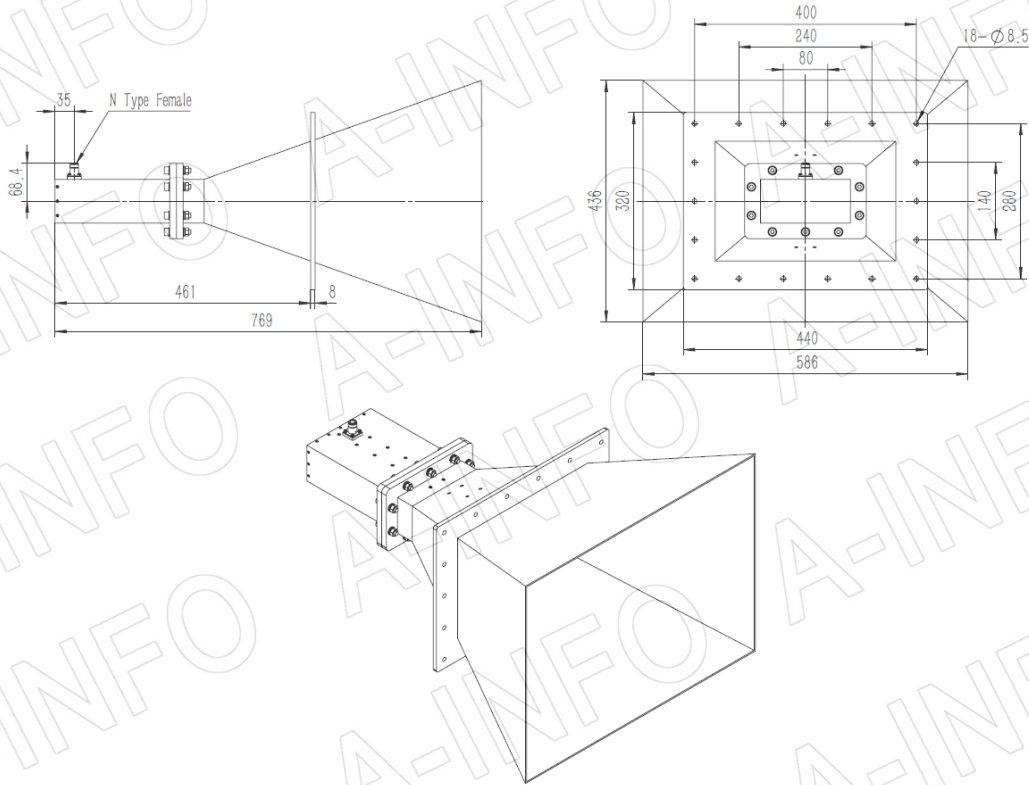
Page 1 of 8

(+86) 10-6266-7327 Fax: (+86) 10-6266-7379
(+86) 28-8519-3044 Fax: (+86) 28-8519-3068
(+1) 949-639-9608 Fax: (+1) 949-639-9670

Website: www.ainfoinc.com
Email: sales@ainfoinc.com

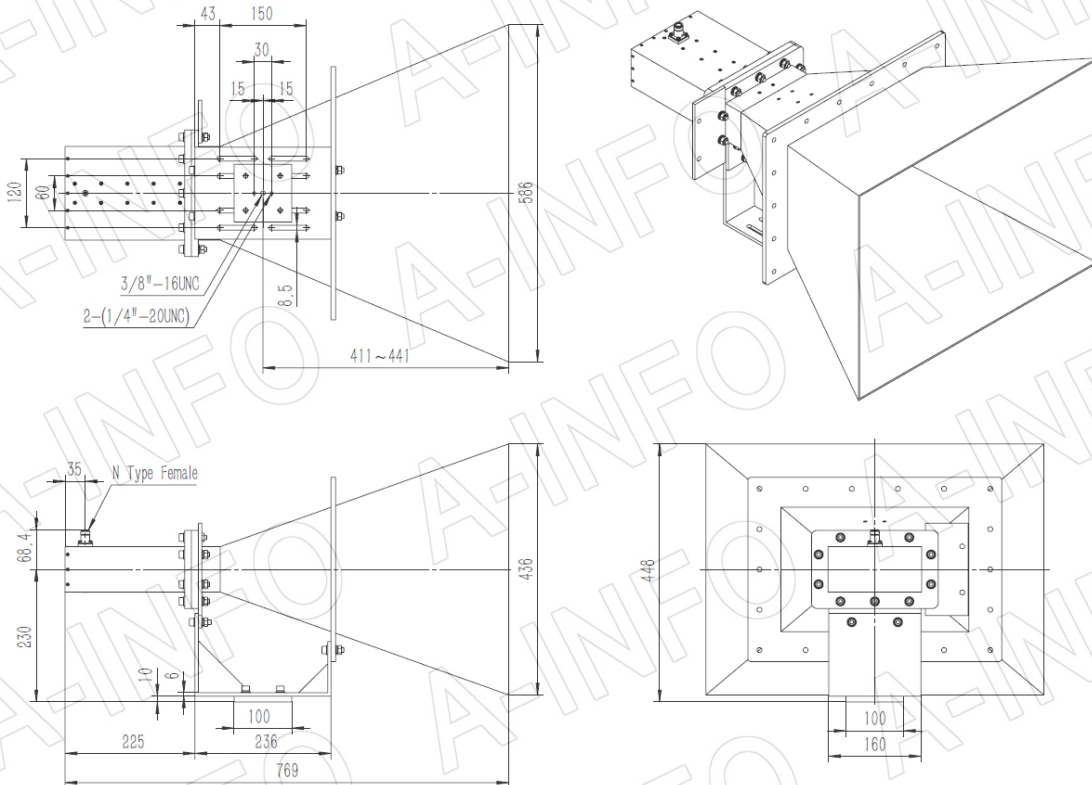
N-Female Output (P/N: LB-08420-15-C-NF)

For SMA-Female or 7/16-Female output outline drawing, please contact A-INFO.

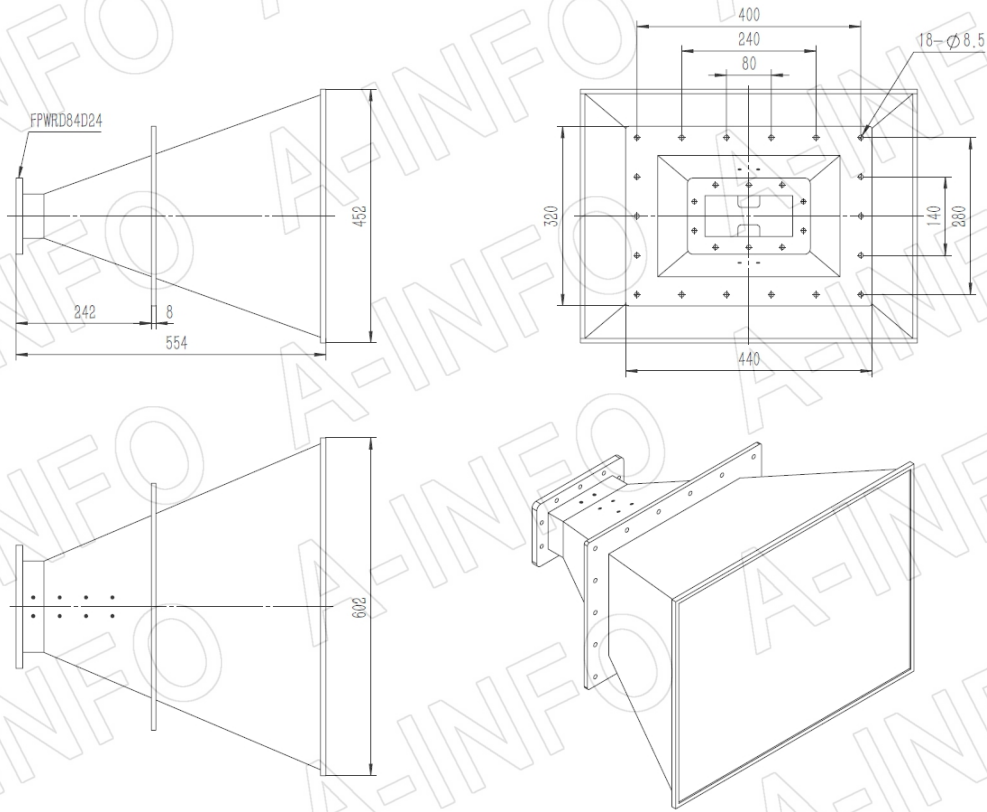


N-Female Output with L Type Mounting Bracket (Option, P/N: LB-08420-15-C-L-FR)

For SMA-Female or 7/16-Female output outline drawing, please contact A-INFO.

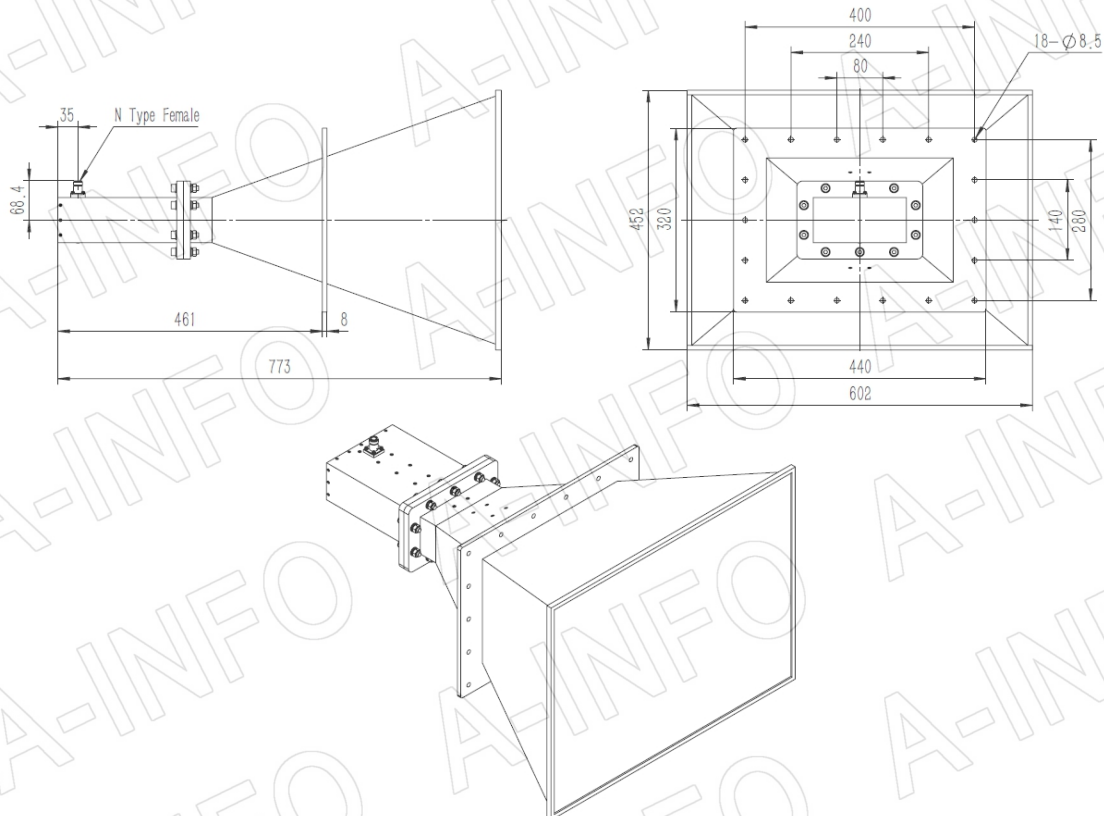


FPWRD84D24 Output with Radome (Option, P/N: LB-08420-15-ASPO, Outdoor Application)



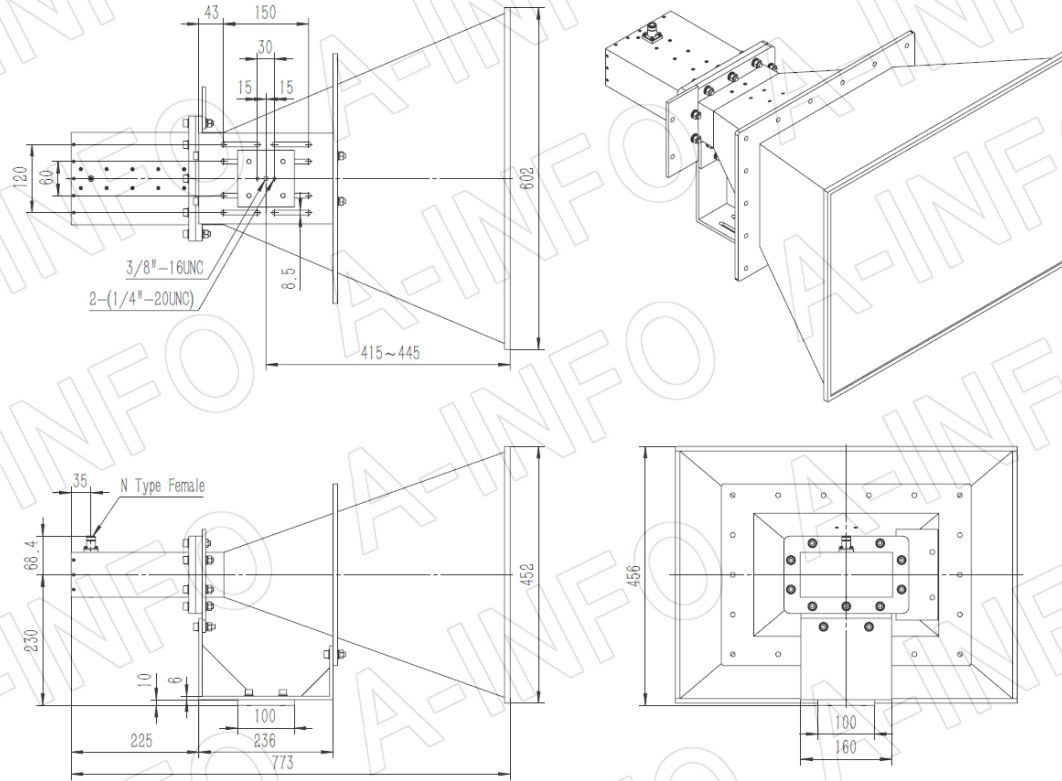
N-Female Output with Radome (Option, P/N: LB-08420-15-C-NFSP0, Outdoor Application)

For SMA-Female or 7/16-Female output outline drawing, please contact A-INFO.

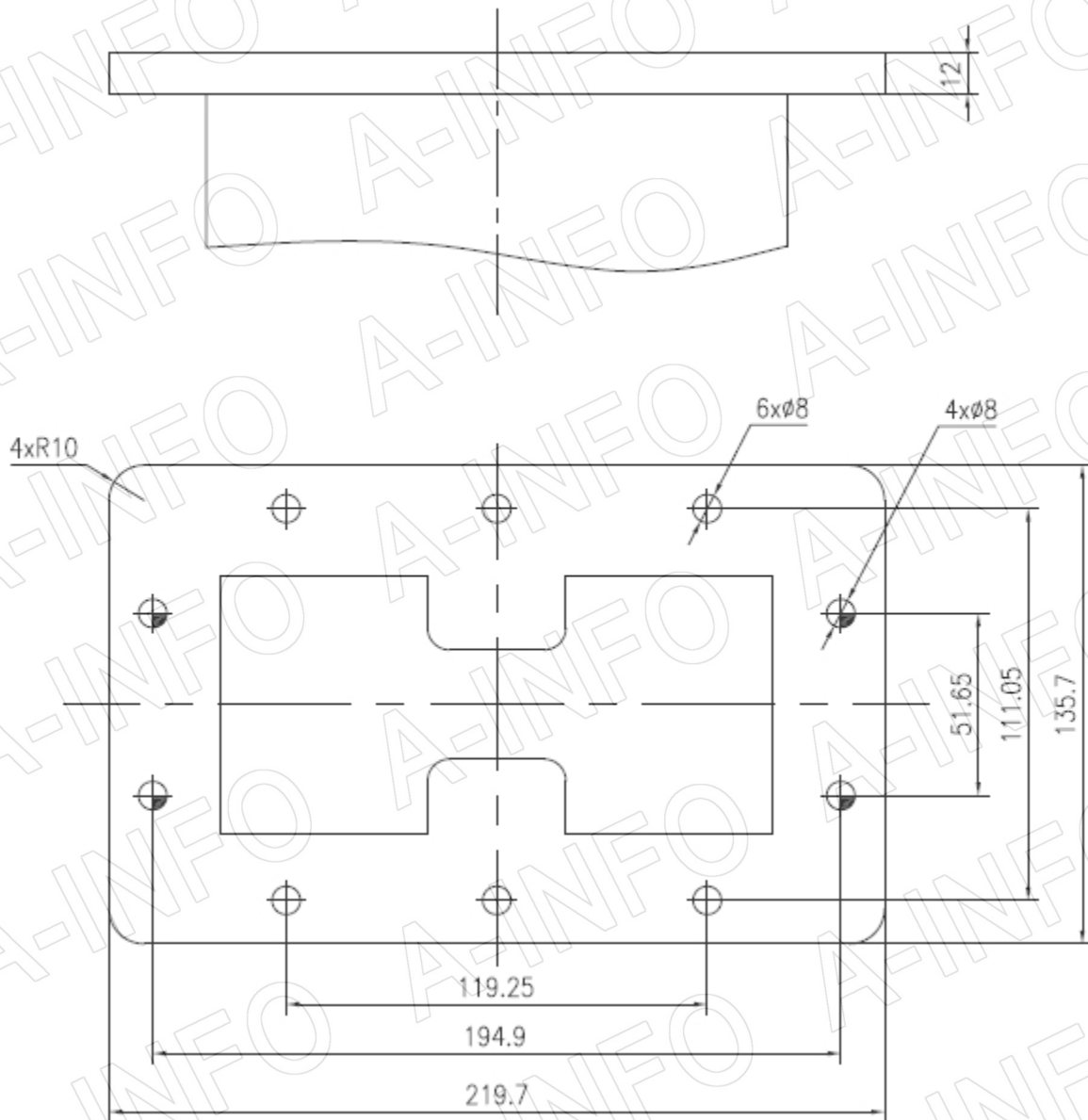


N-Female Output with L Type Mounting Bracket & Radome (Option, P/N: LB-08420-15-C-L-FR & LB-08420-15-C-NFSPO, Outdoor Application)

For SMA-Female or 7/16-Female output outline drawing, please contact A-INFO.

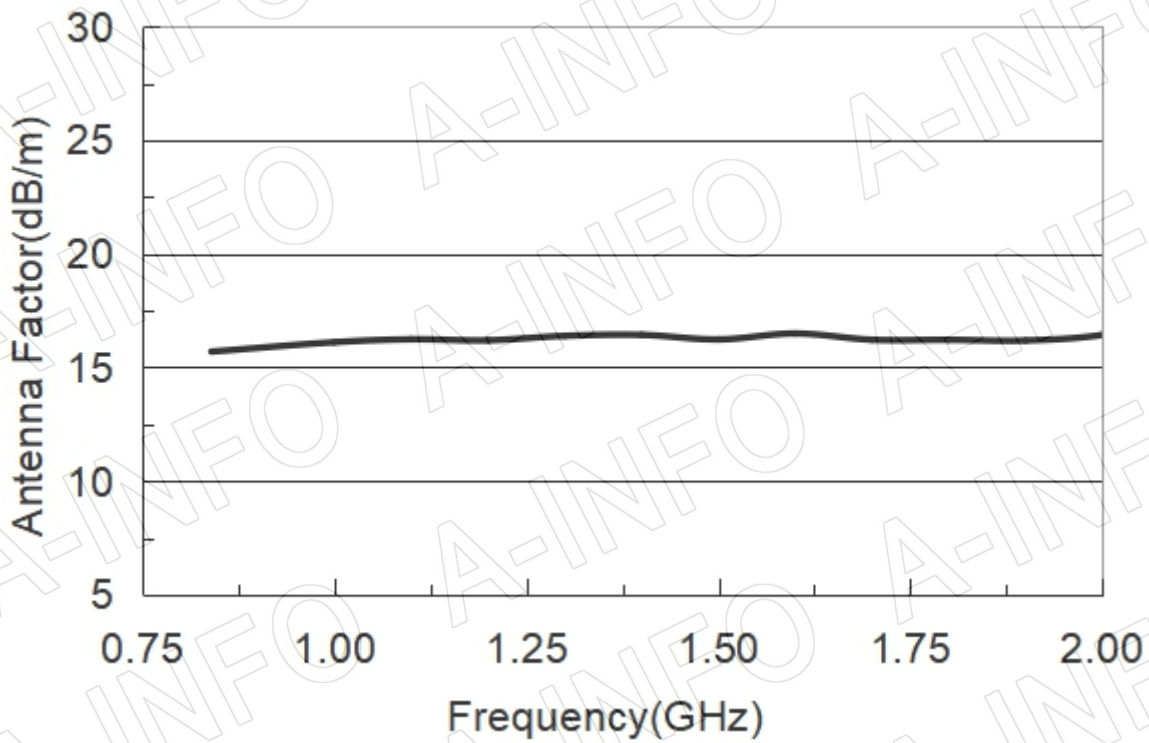
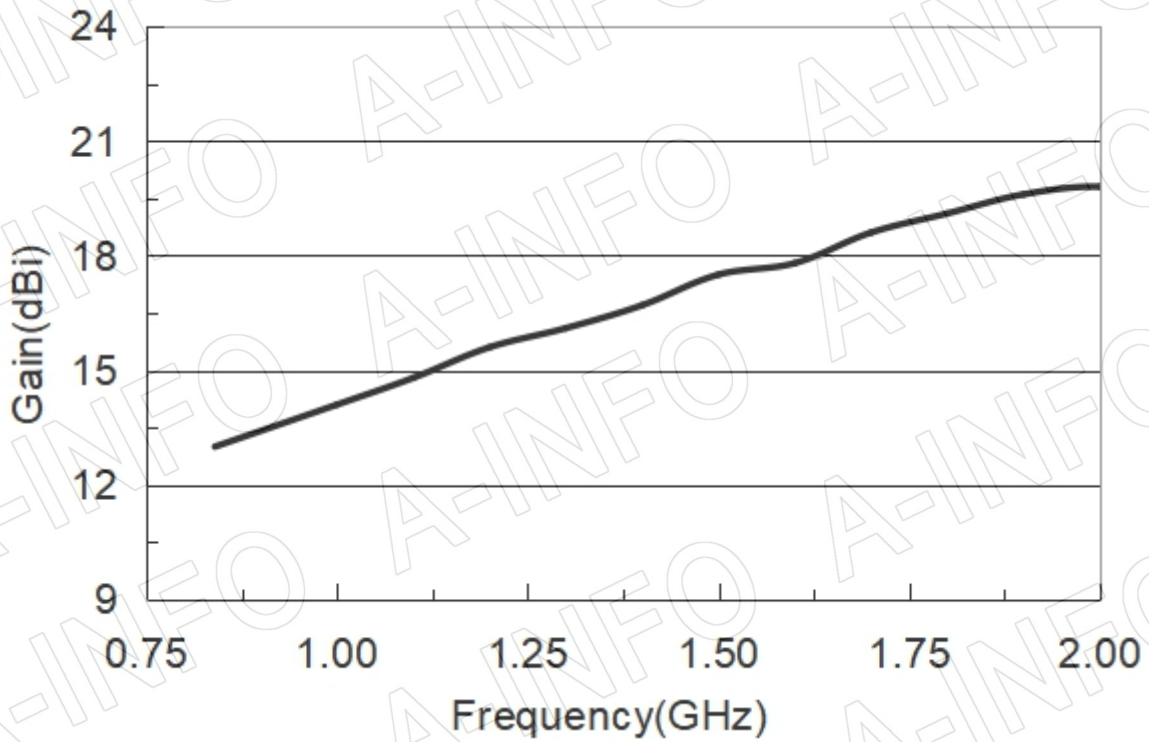


Flange Drawing (Size: mm)

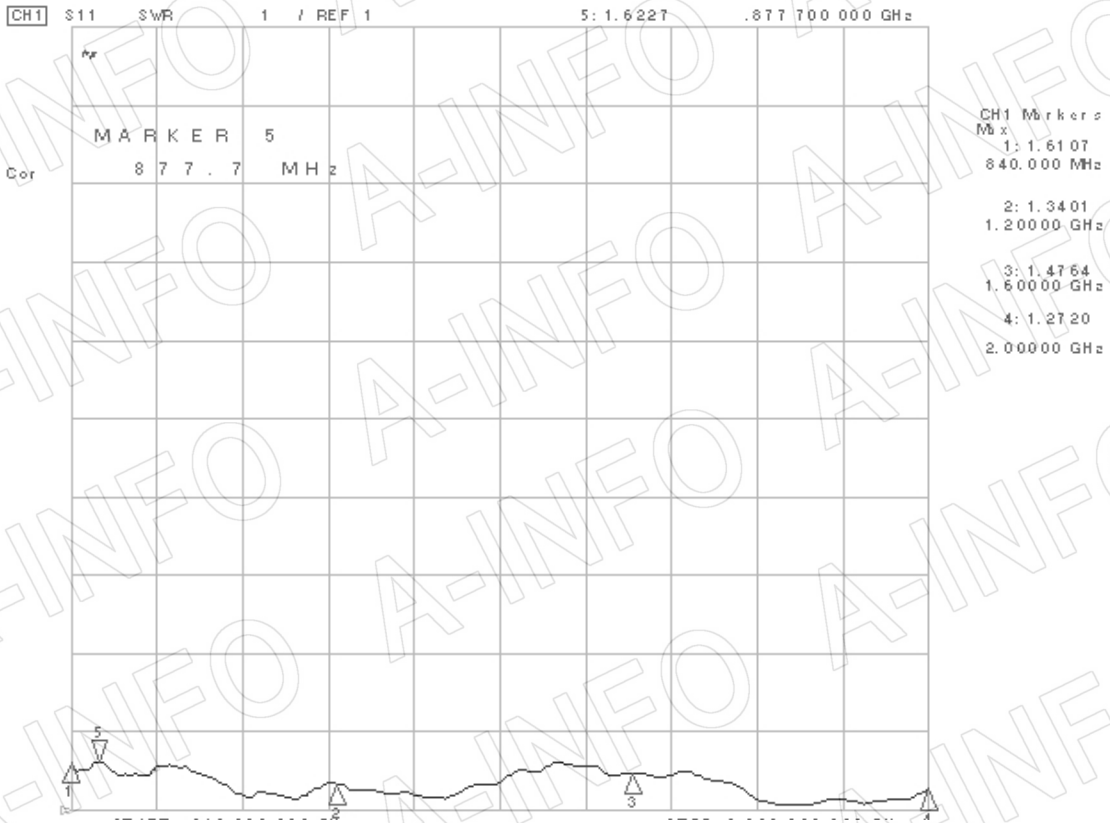


Test Results

1. Gain & Antenna Factor



2. VSWR



3. Pattern

